



PS-CV-120-12-5A-60W-DK

POWER SUPPLY

SPECIFICATION SHEET

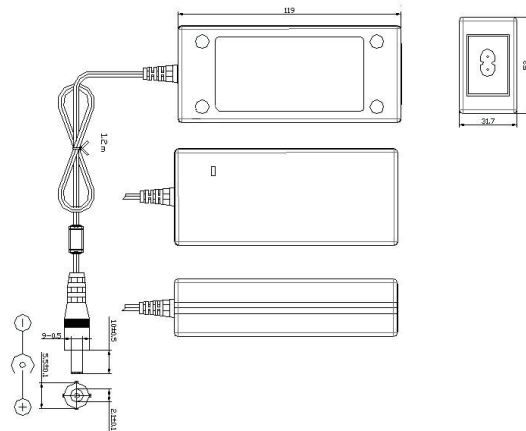
PROJECT NAME / No:

TYPE:

QTY:



TECHNICAL DRAWING::



TECHNICAL INFORMATION::

Item: PS-CV-120-12-5000mA-60W-BK-DK
Wattage: 60 watts
Voltage: 12 Volts
Power factor: 0.9
Efficiency: 80%
Class: 5
Input: AC100-240V DC12V5A
AC input Frequency: 50/60Hz
Operating Temperature: 0°C-40°C
Storage Temperature: -20°C-85°C
Dimension: 120 (L) x 52 (W) x 30 (H) mm
Weight: 220g



7900 Boul. Henri-Bourassa Ouest
St-Laurent, Québec, Canada, H4S 1V4
1 800 361-6000
www.richelieu.com

PS-CV-120-12-5A-60W-DK
POWER SUPPLY